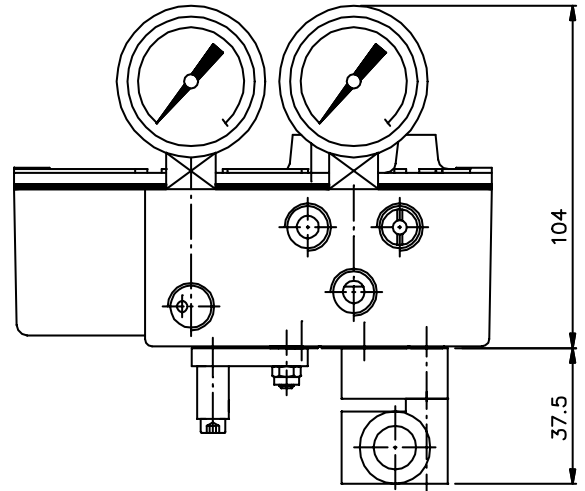
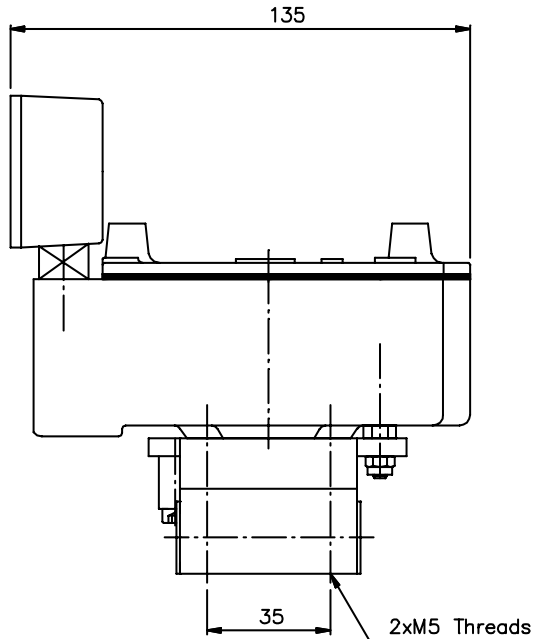


**QUARTER-TURN POSITIONER VALVE
PNEUMATIC CONTROL - LINEAR APPLICATION**

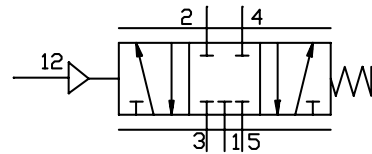
**PR730
SERIES**

PR730 TYPE



Notes :

Dimensions in mm.
Symbol is according to ISO1219-1.



Description:

Quarter-turn positioner valve, pneumatic control, for linear actuator(cylinders).
(To be mounted see on thecnical sheet n° E17K0X730).

General Specification:

Repetitivity:	Smaller difference than 0,3% of the full range.
Hysteresis:	Less than 0,5% of the full range.
Linearity:	Better than 99% of the full range.
Sensitivity:	Change of the control signal smaller than 0,5% of the full control range.
Control signal:	0,2 bar (3psi) to 1 bar (15psi).
Main air supply:	Max. 10 bar.
Nominal flow:	400 NI/min.
Consumed flow:	20 NI/min at 6 bar.
Service temperature:	-10°C to +70°C.
Pneumatic connections:	int. thread G1/4".
Compressed air quality:	Control signal according to ISO-8573.1 Class 3.4.3. Supply to the positioner according to ISO-8573.1 Class 3.4.3.

Materials:

Body, box and cover:	Lacqued aluminium alloy.
Valve bushing:	Bronze.
Spool valve:	Treated stainless steel.
Internal parts:	Stainless steel, treated aluminium and brass.
Springs:	Treated stainless steel.
Seals:	Oil resistant nitrilic rubber (NBR).

Subject to change without notice. Previous data sheets with the issue of the latest data sheets.

VALVE
CONTROL



N°:
E1700X730

Issued :
04.00