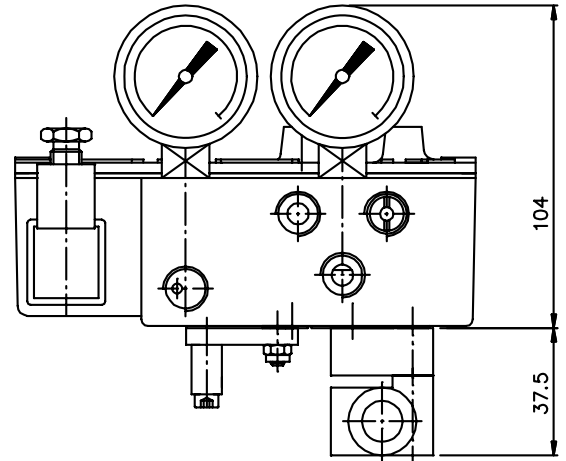
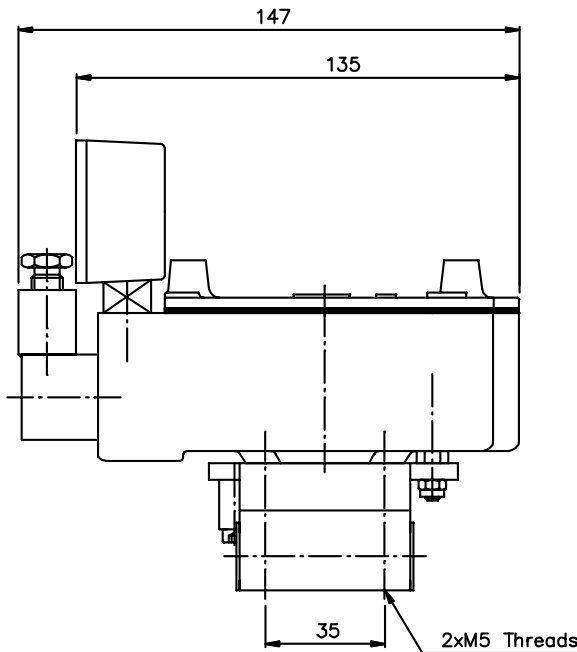


**QUARTER-TURN POSITIONER VALVE  
ELECTRONIC CONTROL - LINEAR APPLICATION**

**PR731  
SERIES**

**PR731 TYPE**

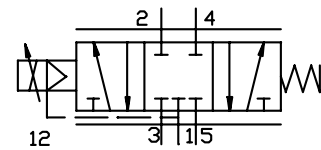


**Notes :**

Dimensions in mm.  
Symbol is according to ISO1219-1.

**Description:**

Quarter-turn positioner valve, electronic control, for linear actuator (cylinders).  
(To be mounted see on technical sheet n° E17K0X730).



**General Specification:**

Repetitivity:	Smaller difference than 0,3% of the full range.
Hysteresis:	Less than 0,5% of the full range.
Linearity:	Better than 99% of the full range.
Sensitivity:	Change of the control signal smaller than 0,5% of the full control range.
Control signal:	4-20 mA.
Main air supply:	Max. 10 bar.
Nominal flow Q <sub>N</sub> :	400 NI/min.
Consumed flow:	20 NI/min at 6 bar.
Service temperature:	-10°C to +50°C.
Circuit impedance:	300 Ω.
Protection class:	IP-64.
Pneumatic connections:	int. thread G1/4".

Compressed air quality: Supply to the positioner according to ISO-8573.1 Class 2.4.3.

**Materials:**

Body, box and cover:	Lacqued aluminium alloy.
Valve bushing:	Bronze.
Spool valve:	Treated stainless steel.
Internal parts:	Stainless steel, treated aluminium and brass.
Springs:	Treated stainless steel.
Seals:	Oil resistant nitrilic rubber (NBR).

Subject to change without notice. Previous data sheets with the issue of the latest data sheets.

VALVE  
CONTROL



N°:  
**E1700X731**

Issued :  
**04.00**