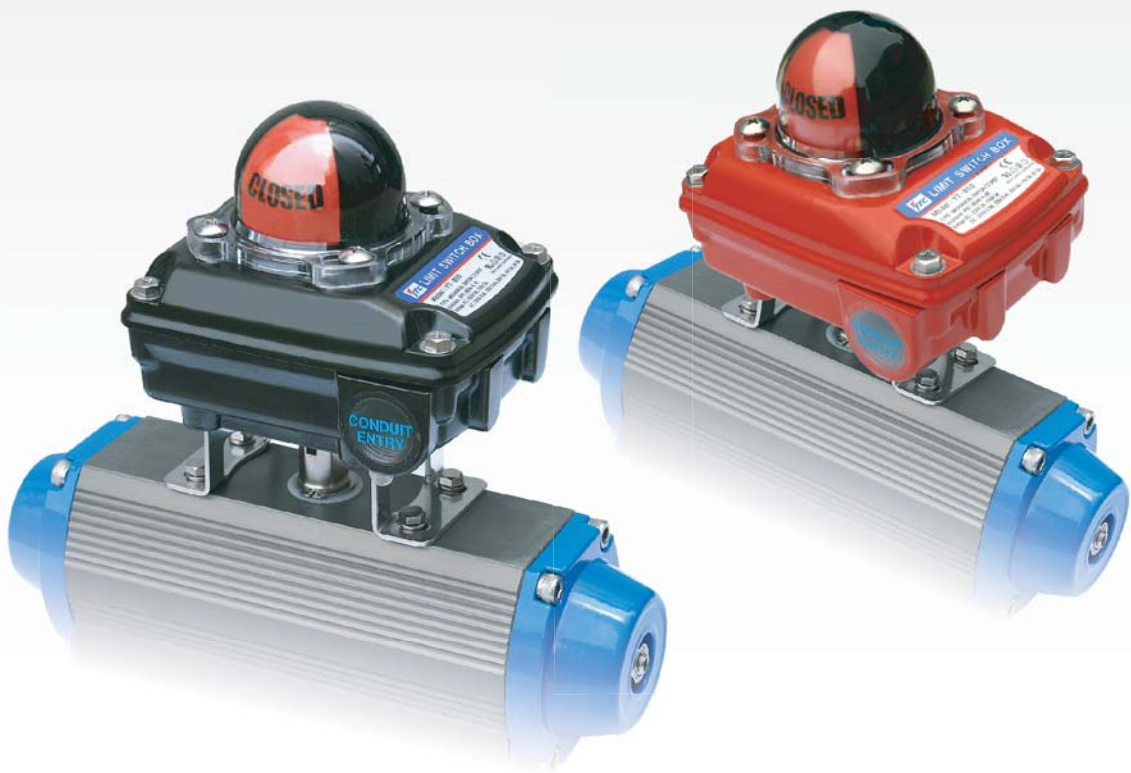




- Compact design
- High sensitivity
- Various options
- Easy maintenance



## Limit Switch Box YT-850 Series

Rev. 250001

## Features

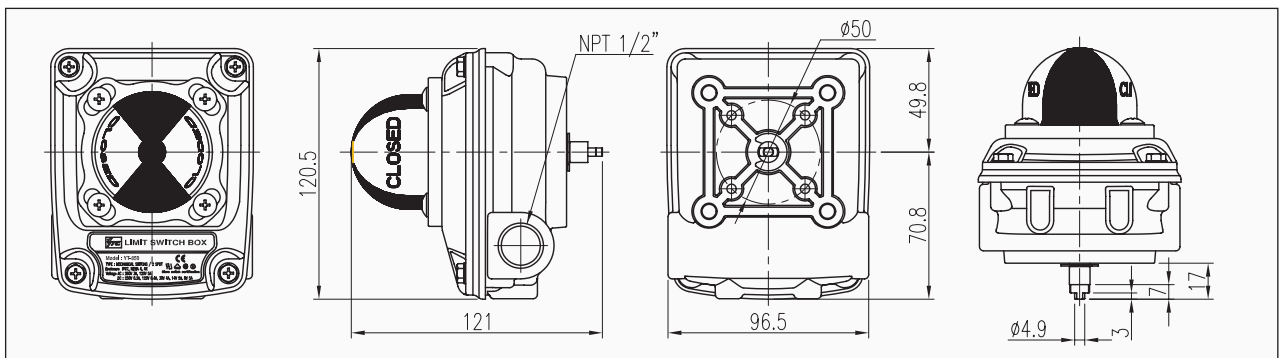
- 1) Visual Position Indicator
- 2) "Quick-Set" Cam : Limit Switch adjustment cams are splined and spring loaded, the switch cam position can be quickly adjust without tools(closed-up, open-down)
- 3) Multipoint Terminal Strip : Terminal strip number with 8 contacts is standard for micro switches. There are connected solenoid valve service
- 4) Dual Wire Potting  
Dual 1/2" conduit entries
- 5) Captive Cover Bolts : There are designed to be captive by the cover, when it removed
- 6) Easy Mounting Bracket : Any actuator for rotary motion can be easily mounted in ISO 5211





## Specification

Specification	Standard	Option	Material	
			Housing	Indicator
Enclosure Protection	Weather proof, IP67/NEMA4 & 4X	IP68	Aluminium die-casting	
Ambient Temp.	-20°C~80°C		Stainless steel	
Conduit Entry	2 x NPT1/2"	PF1/2", PT1/2" M20, PG13.5	Polycarbonate	
Switches	Mechanical switches x 2 Proximity sensor x 2		ABS/Polycarbonate	
Terminal	8 Points		Polycarbonate	
Shaft	Standard Shaft(17mm)	Long Shaft	Stainless steel	
External Coating	Black	Red, Blue, Yellow Green, Silver	O-ring	NBR
Weight	880g		Bracket	Stainless steel

## Dimension

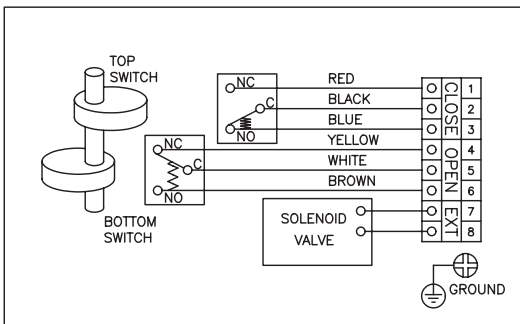


## Switches

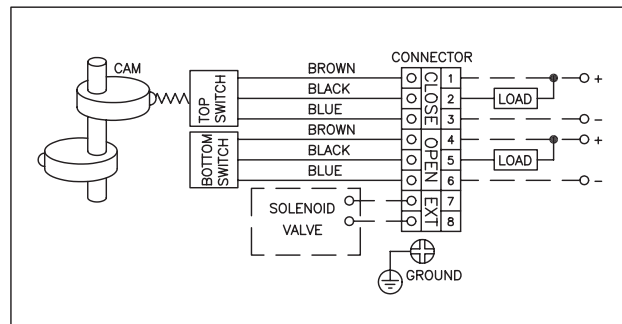
Mechanical Switch	Proximity sensor
 <p>Standard switch : SS5GL(Omron)            2SPDT switches            Voltage AC : 250V 3A , 125V 5A            DC : 250V 0.2A, 125V 0.4A, 30V 4A</p> <p>Optional switch : SS10GL(Omron)            2SPDT switches            Voltage AC : 250V 10.1A , 125V 10.1A            DC : 250V 0.2A, 125V 0.4A, 30V 4A</p>	 <p>Standard sensor : PS17-5DNU(Autronics)            Inductive proximity sensor            Operating Voltage : 12~24VDC            Allowable Voltage : 12~30VDC            Operating Distance : 5mm</p> <p>Optional sensor : NJ2-V3-N(P&amp;F)            Inductive proximity sensor            Operating Voltage : 0~25VDC            Operating Distance : 2mm</p>

## Wiring Diagrams

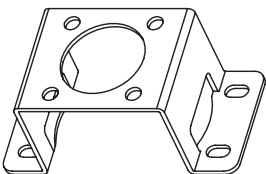
Mechanical Switch



Proximity sensor



## Mounting Bracket

	Model No.	Material	Application
	ST-1	STAINLESS STEEL	30 * 80 , H : 20
	ST-2	STAINLESS STEEL	30 * 80 , H : 30
	ST-3	STAINLESS STEEL	30 * 130 , H : 30
	ST-4	STAINLESS STEEL	30 * 130 , H : 50



## Young Tech Co., Ltd.

662-8, Pungmu-Dong, Kimpo-City, Kyeonggi-Do, Korea  
Tel: 82-31-986-8545 Fax: 82-31-986-2683

E-mail: [ytc@ytc.co.kr](mailto:ytc@ytc.co.kr)

Homepage: <http://www.ytc.co.kr>, <http://www.positioner.biz>