



3 way stainless steel ball valve coupled with quarter-turn electrical actuator "ER"

"L" or "T" type / Threaded type

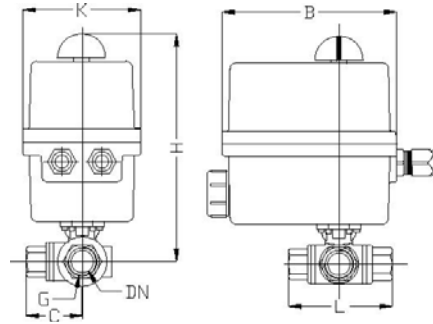
Technical specification of actuator

Quarter-turn (90°) electrical actuator ER
 Power supply : 230 V AC
 12 / 24 V AC/DC
 24 V AC/DC
 Duty rating : 50% for 230 V AC
 30% for 12/24 V AC
 Protection : IP 65
 Operating temperature : -10 ... 55 °C
 Output switch : 4 SPDT micro switch
 Mounting pad : ISO 5211 / DIN 3337
 Extra option :
 Positioner with 4 ... 20 mA input/output
 0 ... 10 V input/output
 Potentiometer 1 / 5 / 10 K Ohms



Technical specification of valve

Type : 3 way stainless steel ball valve
 Body material : Stainless steel AISI 316
 Seat : PTFE
 Operating pressure : PN 63
 Operating temperature : -25 ... +180 °C



Valve size (G)	Actuator	PN	DN	L	B	H	K	C	Kg
1/4"	ER20	63	8	79	136	189	92	40	
3/8"	ER20	63	10	79	136	189	92	40	
1/2"	ER20	63	15	79	136	189	92	40	
3/4"	ER20	63	20	88	136	196	92	44	
1"	ER35	63	25	107	136	206	92	54	
1 1/4"	ER35	63	32	125	136	212	92	62	
1 1/2"	ER60	63	40	135	151	248	128	68	
2"	ER100	63	50	164	151	258	128	82	

ARYAN PAJOUHESH ENG. Co.

1st Floor , No. 39 , 27th St. , Kordestan Exp.
 Zip Code: 1437747191 , Tehran – IRAN
 Tel.: +98 (21) 88335507-10
 Fax: +98 (21) 88010484
 Email: info@aryanpajouhesh.com

شرکت آریان پژوهش

تهران- بزرگراه کردستان , خیابان ۲۷ غربی ,
 پلاک ۳۹ , طبقه اول کدپستی ۱۴۳۷۷۴۷۱۹۱
 تلفن : ۸۸۳۳۵۵۰۷-۱۰
 فاکس : ۸۸۰۱۰۴۸۴