

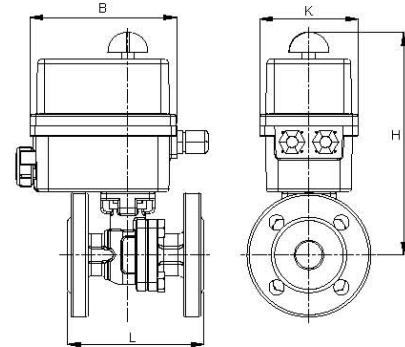


### Flanged stainless steel ball valve coupled with quarter-turn electrical actuator "ER"

With ANSI standard flange

#### Technical specification of actuator

Quarter-turn (90°) electrical actuator ER  
 Power supply : 230 V AC  
                   12 / 24 V AC/DC  
                   24 V AC/DC  
 Duty rating : 50% for 230 V AC  
                   30% for 12/24 V AC  
 Protection : IP 65  
 Operating temperature : -10 ... 55 °C  
 Output switch : 4 SPDT micro switch  
 Mounting pad : ISO 5211 / DIN 3337  
 Extra option :  
     Positioner with 4 ... 20 mA input/output  
     0 ... 10 V input/output  
     Potentiometer 1 / 5 / 10 K Ohms



#### Technical specification of valve

Type : flanged type stainless steel ball valve  
 Body material : stainless steel AISI 316  
 Seat : PTFE  
 Operating pressure : class 150  
                           ANSI flange  
 Operating temperature : -30 ... +180 °C

Valve size		Actuator	Code	L	B	H	K	J	Kg
1/2"	DN 15	ER20		108	136	193	92		
3/4"	DN 20	ER20		117	136	198	92		
1"	DN 25	ER35		127	136	204	92		
1 1/4"	DN 32	ER35		140	136	218	92		
1 1/2"	DN 40	ER45		165	151	251	128		
2"	DN 50	ER60		178	151	258	128		
2 1/2"	DN 65	ER100		190	151	293	128		
3"	DN 80	ER100		203	151	304	128		
4"	DN 100			229					
5"	DN 125								
6"	DN 150			394					
8"	DN 200								

ARYAN PAJOUHESH ENG. Co.

1<sup>st</sup> Floor , No. 39 , 27<sup>th</sup> St. , Kordestan Exp.  
 Zip Code: 1437747191 , Tehran – IRAN  
 Tel.: +98 (21) 88335507-10  
 Fax: +98 (21) 88010484  
 Email: info@aryanpajouhesh.com

شرکت آریان پژوهش

تهران- بزرگراه کردستان ، خیابان ۲۷ غربی ،  
 پلاک ۳۹ ، طبقه اول کدپستی ۱۴۳۷۷۴۷۱۹۱  
 تلفن : ۸۸۳۳۵۵۰۷-۱۰  
 فاکس : ۸۸۰۱۰۴۸۴