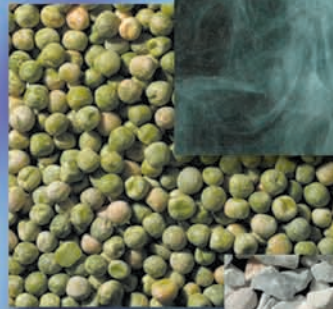
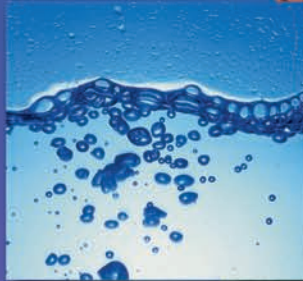
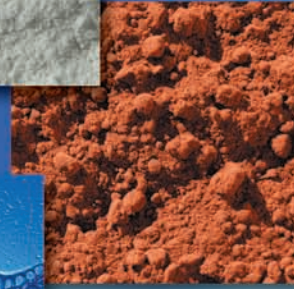
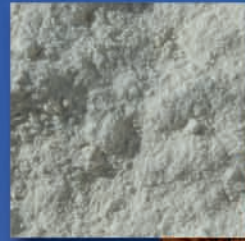


**MOLLET**  
Füllstandtechnik GmbH



**Sinus QV**  
pinch valve

## QV - FF

Pinch valve with  
flange connection



## QV - GG

Pinch valve with  
internal thread connection



## QV - RR

Pinch valve with  
tube connection



For the shutting off, distributing, dosing of powdery and grained bulk goods,  
for viscous, soiled and aggressive liquids, gases and mixtures

### Mode of operation

- simple function principle
- the cylindrical, elastic hose will be squeezed by compressed air or by water pressure
- solids will be enclosed
- after release of the control pressure, the hose opens and returns in its original and circular shape

### Advantages

- opens always in a circular shape
- less pressure air
- long service life of hoses
- simple change of hoses

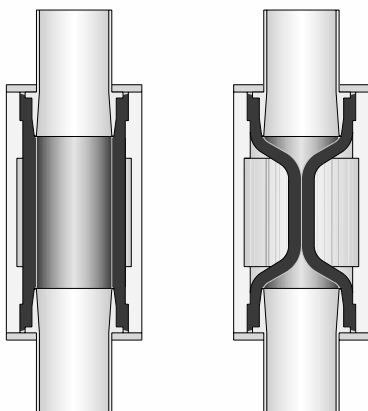
Suitable for all industrial fields

### Construction

- straight, not reduced passage
- no jam
- no drop of delivery pressure
- nominal size from 13 up to 150 mm
- process pressure up to 4 bar (DN 13 up to 6 bar)

Mounting in any position possible

## Function



## ATEX - Option

Ex type of protection  II 2GD c TX

**MOLLET**  
Füllstandtechnik GmbH

Industriepark RIO 103 • D-74706 Osterburken  
Tel.: (+49) 06291/64400 • Fax: (+49) 06291/9846  
E-mail: info@mollet-gmbh.de • www.mollet-gmbh.de