



Flanged St. St. ball valve coupled with pneumatic actuator (ANSI)

Technical specification of actuator

Double / Single action pneumatic actuator

Type : Double or single action 90°

Compressed air supply : 6 bar (max. 8 bar)

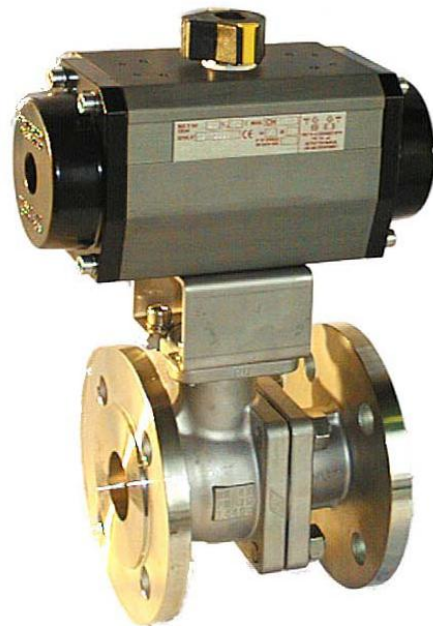
Operating temperture : -20 ... 80 °C
-20 ... 150 °C (Optionaly)

Mounting pad : ISO 5211 / DIN 3337

Solenoid valve conn. : according to NAMUR standard

Body : Anodized aluminium

Options : PTFE and Nickel-plated coated and
stainless steel body



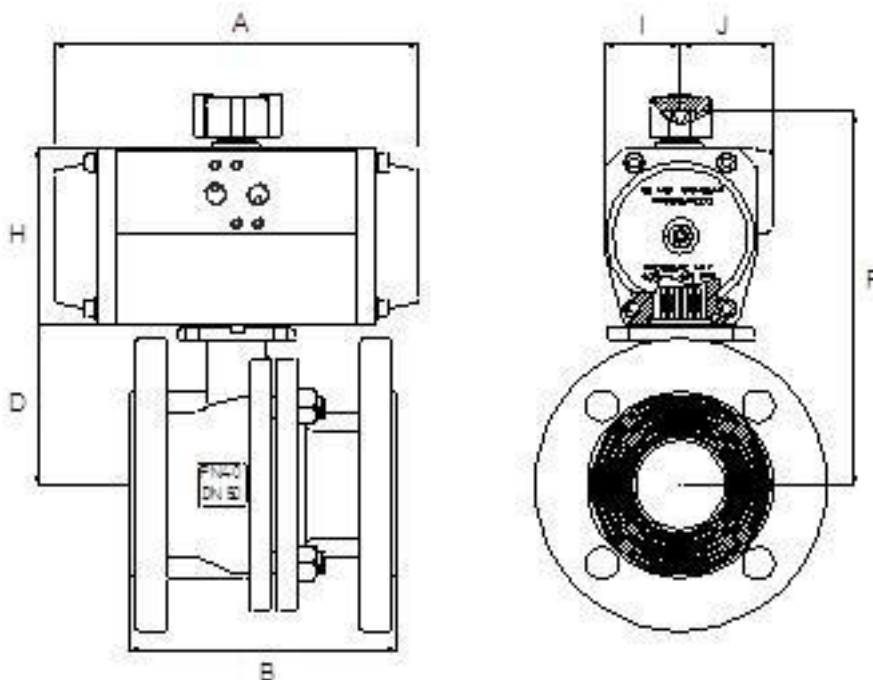
Technical specification of valve

Type : Flanged stainless steel ball valve

Body material : stainless steel AISI 316

Operating pressure : ANSI 150 / ANSI 300

Operating temperature : -20 ... +160 °C





Flanged St. St. ball valve coupled with pneumatic actuator (ANSI)

Flanged St. St. ball valve ANSI 150 coupled with double action pneumatic actuator

Valve size		Actuator	Code	A	B	D	F	H	I	J	Kg
½"	DN 15	DA042		160	108	46	123	57	27	33,5	
¾"	DN 20	DA050		138	117	51	138	67	33,5	41,5	
1"	DN 25	DA050		138	127	57	138	67	33,5	41,5	
1 ¼"	DN 32	DA063		155	140	71	174	83	38	48	
1 ½"	DN 40	DA063		155	165	76	179	83	38	48	
2"	DN 50	DA075		210	178	83	203	100	42,5	51,5	
2 ½"	DN 65	DA075		210	190	118	238	100	42,5	51,5	
3"	DN 80	DA075		210	203	129	249	100	42,5	51,5	
4"	DN 100	DA085		228	229	145	275	110	49	55	
5"	DN 125	DA085		228				110	49	55	
6"	DN 150	DA115		310	394	250	422	142	63,5	70,5	
8"	DN 200	DA145		390		400	595	175	80	83	

Flanged St. St. ball valve ANSI 150 coupled with single action pneumatic actuator

Valve size		Actuator	Code	A	B	D	F	H	I	J	Kg
½"	DN 15	SR050		138	108	46	133	67	33,5	41,5	
¾"	DN 20	SR063		155	117	51	154	83	38	48	
1"	DN 25	SR063		155	127	57	160	83	38	48	
1 ¼"	DN 32	SR075		210	140	71	191	100	42,5	51,5	
1 ½"	DN 40	SR075		210	165	76	196	100	42,5	51,5	
2"	DN 50	SR085		228	178	83	213	110	49	55	
2 ½"	DN 65	SR100		280	190	118	263	125	55	65	
3"	DN 80	SR100		280	203	129	274	125	55	65	
4"	DN 100	SR115		310	229	145	317	142	63,5	70,5	
5"	DN 125	SR115		310				155	63,5	70,5	
6"	DN 150	SR145		390	394	250	476	196	80	83	
8"	DN 200	SR180		474		400	670	220	98	98	

ARYAN PAJOUHESH ENG. Co.

1st Floor , No. 39 , 27th St. , Kordestan Exp.
Zip Code: 1437747191 , Tehran – IRAN
Tel.: +98 (21) 88335507-10
Fax: +98 (21) 88010484
Email: info@aryanpajouhesh.com

شرکت آریان پژوهش

تهران- بزرگراه کردستان ، خیابان ۲۷ غربی ،
پلاک ۳۹ ، طبقه اول کدپستی ۱۴۳۷۷۴۷۱۹۱
تلفن : ۸۸۳۳۵۵۰۷-۱۰
فاکس : ۸۸۰۱۰۴۸۴