



3 way PVC ball valve coupled with pneumatic actuator Threaded "L" type

Technical specification of actuator

Double action pneumatic actuator

Type : Double action 90°

Compressed air supply : 6 bar (max. 8 bar)

Operating temperature : -20 ... 80 °C
-20 ... 150 °C (Optionaly)

Mounting pad : ISO 5211 / DIN 3337

Solenoid valve conn. : according to NAMUR standard

Body : Anodized aluminium

Options : PTFE and Nickel-plated coated and
stainless steel body

Technical specification of valve

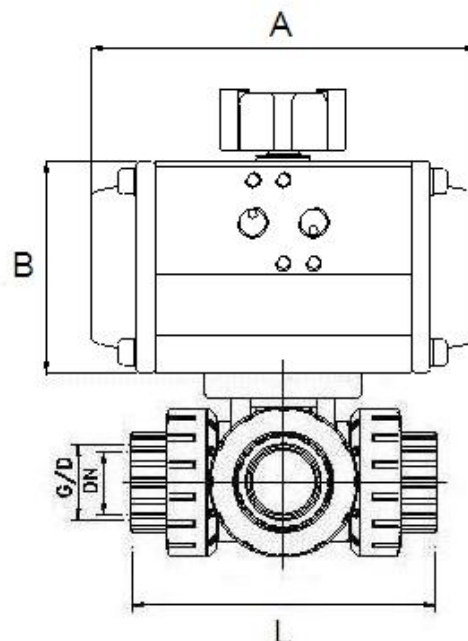
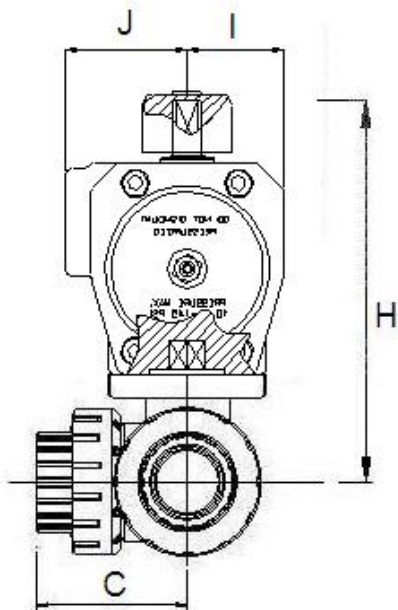
Type : threaded type PVC ball valve
3 way , "L" type

Body material : PVC

Seat : PTFE

Operating pressure : PN 10 at 20 °C

Operating temperature : +50 °C





3 way PVC ball valve coupled with pneumatic actuator
Threaded "L" type

3 way PVC ball valve coupled with double action pneumatic actuator

Valve size	Actuator	PN	DN	A	B	L	C	I	J	H	
3/8"	DA032	10	10	117	45	112	57	22,5	25,5	109	
1/2"	DA032	10	15	117	45	112	57	22,5	25,5	109	
3/4"	DA032	10	20	117	45	123	62	22,5	25,5	112	
1"	DA042	10	25	160	57	147	74	27	33,5	146	
1 1/4"	DA042	10	32	160	57	169	82	27	33,5	151	
1 1/2"	DA050	10	40	138	67	209	104	33,5	41,5	180	
2"	DA063	10	50	155	83	203	117	38	48	202	

3 way PVC ball valve coupled with single action pneumatic actuator

Valve size	Actuator	PN	DN	A	B	L	C	I	J	H	
3/8"	SR042	10	10	160	57	112	57	27	33,5	121	
1/2"	SR042	10	15	160	57	112	57	27	33,5	121	
3/4"	SR050	10	20	138	67	123	62	33,5	41,5	134	
1"	SR063	10	25	155	83	147	74	38	48	172	
1 1/4"	SR063	10	32	155	83	169	82	38	48	177	
1 1/2"	SR075	10	40	210	100	209	104	42,5	51,5	213	
2"	SR075	10	50	210	100	203	117	42,5	51,5	219	

ARYAN PAJOUHESH ENG. Co.

1st Floor , No. 39 , 27th St. , Kordestan Exp.
Zip Code: 1437747191 , Tehran – IRAN
Tel.: +98 (21) 88335507-10
Fax: +98 (21) 88010484
Email: info@aryanpajouhesh.com

شرکت آریان پژوهش

تهران- بزرگراه کردستان ، خیابان ۲۷ غربی ،
پلاک ۳۹ ، طبقه اول کدپستی ۱۴۳۷۷۴۷۱۹۱
تلفن : ۸۸۳۳۵۵۰۷-۱۰
فاکس : ۸۸۰۱۰۴۸۴