



## Butterfly valve coupled with pneumatic actuator

Wafer type

### Technical specification of actuator

Double / Single action pneumatic actuator

Type : Double or single action 90°

Compressed air supply : 6 bar ( max. 8 bar )

Operating temperature : -20 ... 80 °C  
-20 ... 150 °C (Optionaly)

Mounting pad : ISO 5211 / DIN 3337

Solenoid valve conn. : according to NAMUR standard

Body : Anodized aluminium

Options : PTFE and Nickel-plated coated and  
stainless steel body



### Technical specification of valve

Type : wafer butterfly valve

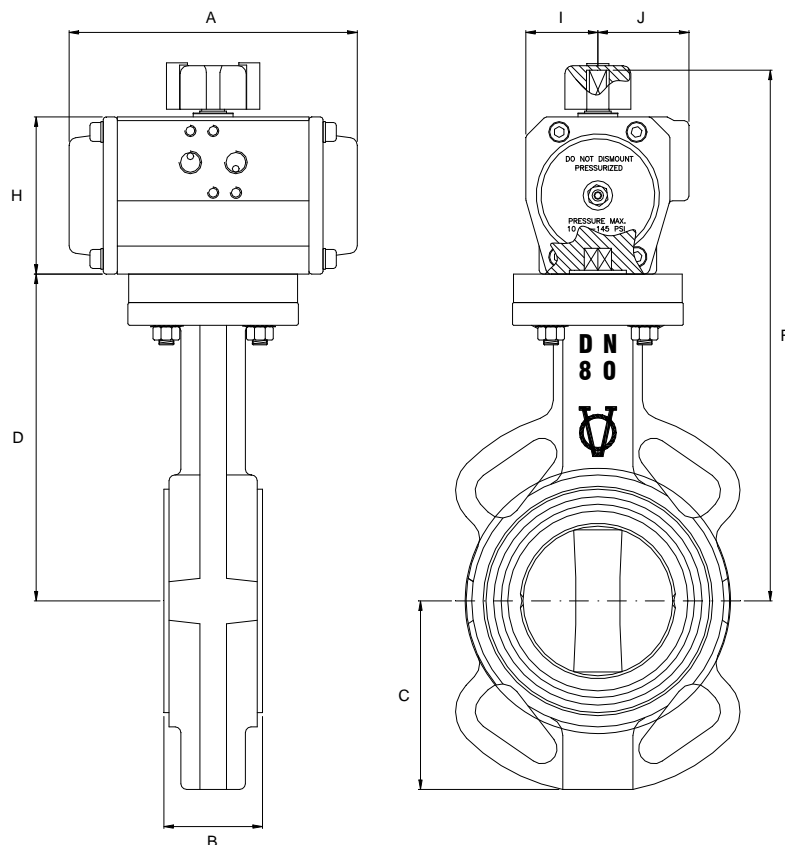
Body material : Cast iron G250

Disc material : Stainless steel AISI 316

Sealing : EPDM

Operating pressure : PN 10 up to PN 16  
ANSI 150

Operating temperature : -20 ... +120 °C





## Butterfly valve coupled with pneumatic actuator

### Wafer type

#### Butterfly valve coupled with double action pneumatic actuator

Valve size	Actuator	PN	A	B	C	D	F	H	I	J	Kg
DN 32	DA050	16	138	33	58	141	228	67	33,5	41,5	~3,0
DN 40	DA050	16	138	33	58	141	228	67	33,5	41,5	~3,0
DN 50	DA050	16	138	43	63	141	228	67	33,5	41,5	~4,0
DN 65	DA050	16	138	46	72	153	240	67	33,5	41,5	~5,0
DN 80	DA063	16	155.5	46	94	158	261	83	38	48	~7,0
DN 100	DA075	16	210	52	108	176	296	100	42,5	51,5	~8,0
DN 125	DA085	16	228	54	120	191	321	110	49	55	~10,0
DN 150	DA085	16	228	54	136	203	333	110	49	55	~11,0
DN 200	DA115	10	280.5	58,5	165	244	416	142	63,5	70,5	~23,0
DN 250	DA125	10	362	66,5	202	273	458	155	69,5	71,5	~32,0
DN 300	DA125	10	362	76,5	235	311	496	155	69,5	71,5	~41,0
DN 350											
DN 400											

#### Butterfly valve coupled with single action pneumatic actuator

Valve size	Actuator	PN	A	B	C	D	F	H	I	J	Kg
DN 32	SR063	16	155	33	58	141	244	83	38	48	~3,7
DN 40	SR063	16	155	33	58	141	244	83	38	48	~3,7
DN 50	SR063	16	155	43	63	141	244	83	38	48	~4,7
DN 65	SR063	16	155	46	72	153	256	83	38	48	~5,7
DN 80	SR085	16	228	46	94	158	288	110	49	55	~10,2
DN 100	SR085	16	228	52	108	176	306	110	49	55	~11,2
DN 125	SR100	16	280	54	120	191	336	125	55	65	~12,6
DN 150	SR100	16	280	54	136	203	348	125	55	65	~13,6
DN 200	SR160	10	462	58,5	165	244	490	196	88	88	~38,0
DN 250	SR180	10	474	66,5	202	273	543	220	98	98	~57,0
DN 300	SR180	10	474	76,5	235	311	581	220	98	98	~66,0
DN 350											
DN 400											

ARYAN PAJOUHESH ENG. Co.

1<sup>st</sup> Floor , No. 39 , 27<sup>th</sup> St. , Kordestan Exp.

Zip Code: 1437747191 , Tehran – IRAN

Tel.: +98 (21) 88335507-10

Fax: +98 (21) 88010484

Email: info@aryanpajouhesh.com

شرکت آریان پژوهش

تهران- بزرگراه کردستان ، خیابان ۲۷ غربی ،

پلاک ۳۹ ، طبقه اول کدپستی ۱۴۳۷۷۴۷۱۹۱

تلفن : ۸۸۳۳۵۵۰۷-۱۰

فاکس : ۸۸۰۱۰۴۸۴