

Cooling element

Material stainless steel

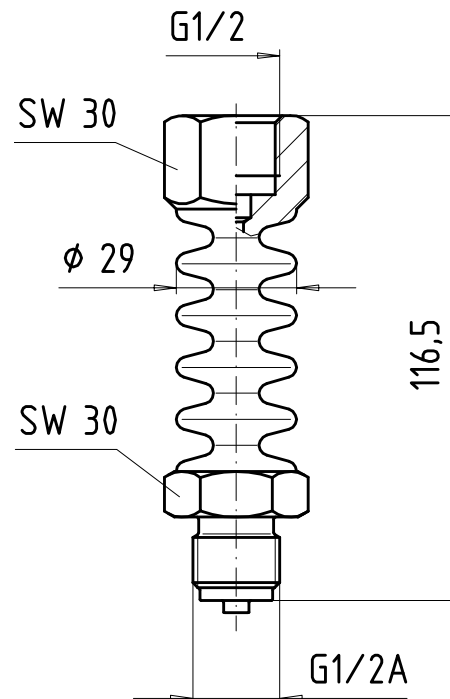
Description

Intended to protect the pressure instrument from high process temperature.

The cooling element recommended with directly mounted instruments at process temperatures in excess of 100 °C.

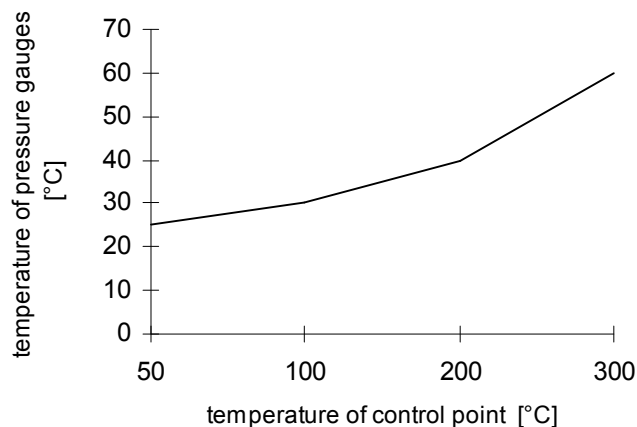
Due to circulating air and thermal radiation the cooling element leads to cooling the liquid media and reduces the heating of the gauge.

Increased medium temperature can lead to wrong measured values and to the damage of the pressure gauges.



material	thread	article-no.
stainless steel	G1/2 I, G1/2 A	AZM16X031001
(PN400 Temp. max 250°C)	1/2 NPT female, 1/2 NPT male	AZM16X031004

Temperature development [approximate values]



Subject to technical alternations

Model: AZM16X031xxx