

In-Line Filters



Description

Service intended

To protect the pressure element from dust and solid bodies that may be suspended in the pressure medium and additionally provide a means of damping pressure surges that may affect gauge performance.

Application

Pressure Gauges that are fitted to industrial fluid power or pneumatic systems that can't be permanently and sufficiently filtered from abrasives.

Design and operating principle

A sintered metal filter retains particles of 200 micrometer size and greater.

Features

- All components in contact with medium stainless steel
- Simple use
- Exchangeable filter disk

Ranges

max. PN 1600 bar

Pressure connection

G $\frac{1}{2}$ x G $\frac{1}{2}$ A to DIN 16 288

Applications

General mechanical engineering, hydraulics, compressors, pumps, plant construction

Model: A1317

Dimensions

Technical data

| | | |
|-------------|---|------------------------|
| Filter disk | : | Stainless steel 1.4404 |
| Filter mesh | : | 200 micrometer |
| Porosity | : | 30 ... 50% |
| Body | : | Stainless steel 1.4571 |

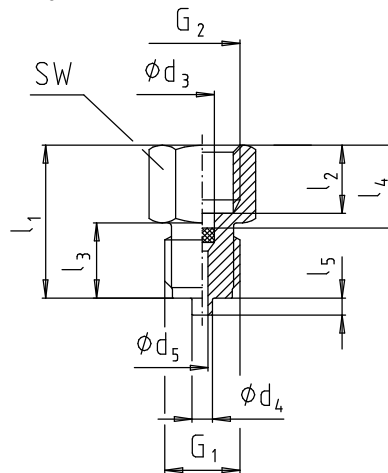
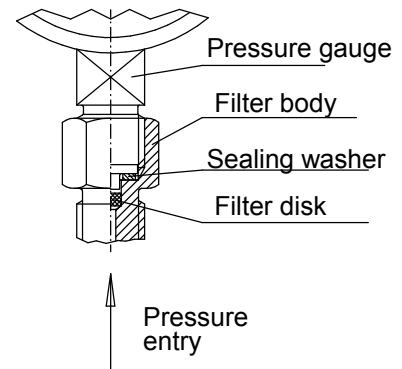
Operating temperature -25°C ... 200°C

Pressure rating:

Sealing washer PTFE max.100 bar
 Sealing washer stainless steel
 1.4571 max. 1600bar

Pressure connection:

See table overleaf.
 Other connections available upon
 inquiry, but may require extended
 delivery lead time and minimum
 order quantity.



| Pressure connection | | Dimensions [mm] | | | | | | | | | Article no. |
|---------------------|------|-----------------|----|-----|----|----|----|----|----|----|--------------|
| G1 | G2 | d3 | d4 | d5 | l1 | l2 | l3 | l4 | l5 | SW | |
| G1/2 A | G1/2 | 7 | 6 | 3.5 | 46 | 19 | 20 | 22 | 3 | 27 | A1317X010001 |
| M20x1.5 | | | | | | | | | | | A1317X010002 |
| 1/2 NPT | | 7 | -- | 3.5 | 44 | 19 | 19 | 22 | -- | 27 | A1317X010003 |
| G1/4A | G1/4 | 5.5 | 5 | 3 | 32 | 13 | 13 | 15 | 2 | 17 | A1317X020001 |
| M12x1.5 | | | | | | | | | | | A1317X020002 |
| 1/4 NPT | | 5.5 | -- | 3 | 30 | 13 | 13 | 15 | -- | 17 | A1317X020003 |

Sealing washer

| To fit thread size G2 | PN [bar] | Material | Article no. |
|-----------------------|----------|------------------------|--------------|
| G1/2 | 100 | PTFE | A1314X010008 |
| | 1600 | Stainless steel 1.4571 | A1314X020008 |
| G1/4 | 100 | PTFE | A1314X010007 |
| | 1000 | Stainless steel 1.4571 | A1314X020007 |

Replacement filters

| Filter to fit thread size G2 | Material | Article no. |
|------------------------------|------------------------|--------------|
| G1/2 | Stainless steel 1.4404 | A1317X050001 |
| G1/4 | Stainless steel 1.4404 | A1317X050002 |

Subject of technical changes