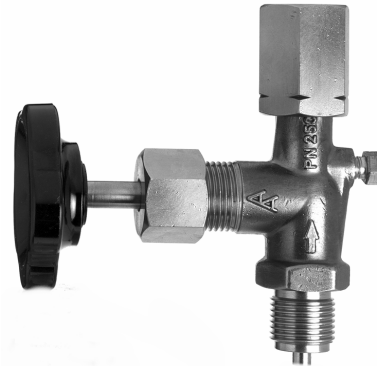


Accessories

Pressure Gauge Valves to

DIN 16 270, DIN 16 271,

DIN 16 272



Application

Pressure gauge valves are intended to isolate the pressure gauge from the pressure medium in order to enable inspection or replacement of the gauge. An additional test gauge can be the pressure gauge cocks with test connector.

Pressure gauge valves are suitable up to PN250 to PN400 bar pressure rating and temperature span from -20 °C to 200 °C for liquids, gaseous media and vapours.

Design

standard version, pressure connection, G 1/2 to DIN 16 288 body with ventilation, needle and seating corrosion- and acid-resisting stainless steel, gland packing PTFE able to work until 200°C, hand wheel heat-resistant plastic.

Free of silicone

Options

Degressed for oxygen use

Inspection certificate 3.1B according to DIN 50 049

Design	Thread	Material	PN [bar]	Form	Article no.
without test connection to DIN 16 270	1/2 NPT 2)	Brass	250	A	A1304X050019
		Sst	400	A	A1304X050018
	G 3/8	Brass 1)	250	A	A1304X050020
		Brass 1)	250	A	A1304X050001
to DIN 16 270	G 1/2	Brass 1)	250	B	A1304X050011
				A	A1304X050002
		Steel	400	B	A1304X050012
				A	A1304X050003
				B	A1304X050013
				A	A1304X050021
with test connection M20 x 1.5 to DIN 16 271	1/2 NPT 2)	Steel	250	A	A1304X050021
		Sst	400	A	A1304X050022
	G 1/2	Brass 1)	250	A	A1304X050004
				B	A1304X050014
Steel		400	A	A1304X050005	
			B	A1304X050015	
			A	A1304X050006	
			B	A1304X050016	
with test connection 60x25x10 mm to DIN 16 271 to DIN 16 272	G 1/2	Brass	250	A	A1304X050007
		Steel	400	A	A1304X050008
with separate shut-off test connection M20 x 1.5 60 x 25 x 10 mm	G 1/2	Brass	250	A	A1304X060002
				B	A1304X060012
		Steel	400	A	A1304X060003
				B	A1304X060013
				A	A1304X060004
				B	A1304X060014
G 1/2	Brass	250	A	A1304X060001	

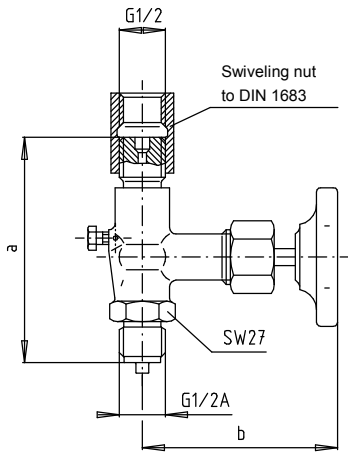
1) Swiveling nut steel 2) Female fixed

Model: A1304

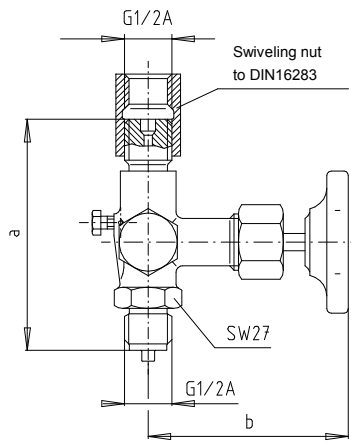
Maßbild

Form A, with swiveling nut

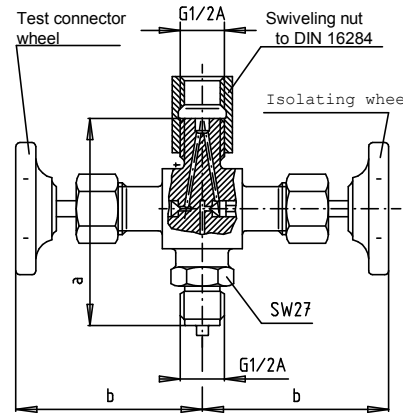
DIN 16 270 without test connection



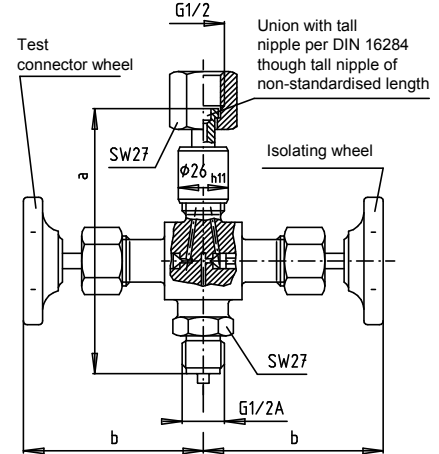
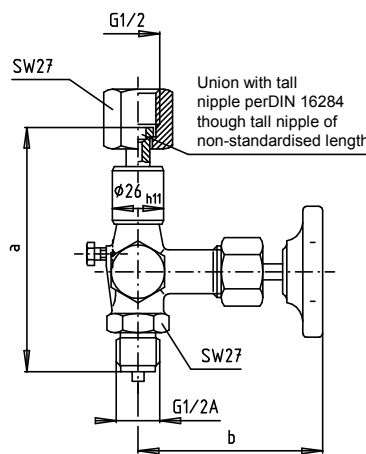
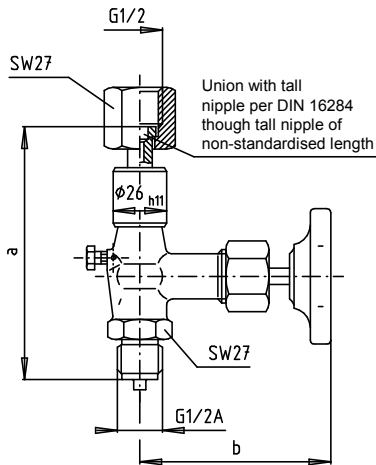
DIN 16 271 with test connection M20x1.5



DIN 16 272 with separate shut-off test connection M20x1.5



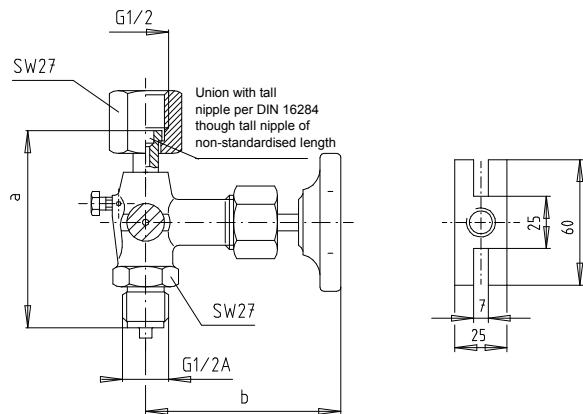
Form B, with union nut and shaft to fit surface mounting bracket



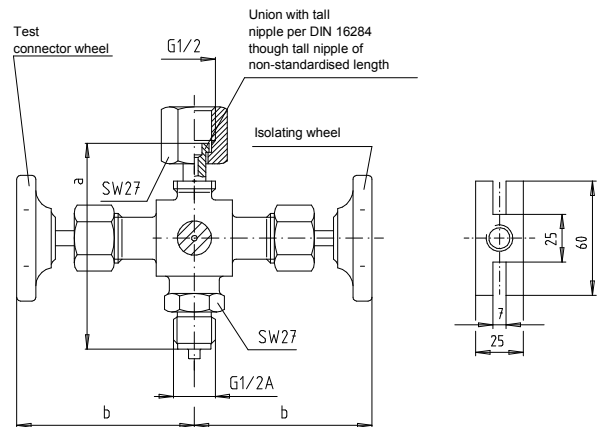
Design	Dimensions [mm]		Weight [kg]		
	a	b ± 0.5	Brass	St	Sst
DIN 16 270					
Form A	100 ± 1	85	0.54	0.52	0.52
Form B	114 ± 5	85	0.61	0.56	0.56
DIN 16 271					
Form A	100 ± 1	85	0.67	0.65	0.65
Form B	114 ± 5	85	0.79	0.74	0.74
DIN 16 272					
Form A	100 ± 1	85	0.95	0.95	0.95
Form B	114 ± 5	85	1.00	1.00	1.00

Form A, with nipple and clamping nut

DIN 16 271 with
test connection 60 x 25 x 10 mm



DIN 16 272 with separate shut-off
test connection 60 x 25 x 10 mm



Design	Dimensions [mm]		Weight [kg]		
	a	b ± 0.5	Brass	St	Sst
DIN 16 271					
Form A	100 ± 1	85	0.69	0.75	--
DIN 16 272					
Form A	100 ± 1	90	1.00	--	--

Dimensions for NPT-threads on request.

Subject to technical alternations