

## Differential pressure gauges with Bourdon tube

with copper-alloy measuring system  
with stainless steel measuring system

Nominal size ND 100 and 160 mm



### Description

The pressure gauges are suitable for measuring of liquid and gaseous media, although this may not be to viscous or be susceptible to crystallization. For aggressive media, which attack the copper resp. the copper-alloy, other versions (Model P2631, P2636) with stainless steel medium wetted parts are available.

The two independently indicating Bourdon tube measuring systems work in a sturdy roundcase.

Both pointers turn around the same axle and give + and - pressure separately. The pointer of the low-pressure side has the form of a dial. On this dial the pressure difference between the low and high pressure side is given which may not exceed 50% of the full measuring range

### Features

- o High reliability and long service life
- o Measuring system in compact design
- o Differential pressure given on inner dial
- o Accuracy class 1.6
- o Static pressure indicated for both sides
- o Measuring system copper- alloy or stainless steel
- o Dual scale bar / mWS

### Ranges


0 ... 0,6 bar to 0 ... 1000 bar

### Applications

Industrial heaters,  
Filter monitoring,  
Water-recycling plant

Models : P2630, P2631, P2635, P2636

## Technical data

Models	P2630 1)	P2635	P2631	P2636	Options
Nominal size	100	160	100	160	
Type					
Measuring system	Two independently indicating Bourdon tube measuring systems				
Accuracy class	1.6 to EN 837-1				
Version	standard		s.s. version		
Ranges 2)	0 ... 0.6 bar to 0 ... 1000 bar negative or positive or negative and positive gauge pressure				
Application	Constant load : up to full scale value Alternating load : 0.9 x full scale value shortly : 1.3 x overloadable				
Case	Steel, black finish		Stainless steel		Back flange
Bezel	Steel, black finish		Stainless steel		Front flange
Window	Glass lens		Laminated safety glass		Laminated safety glass
Dial	Aluminium white, scale and printing black, dual scale bar /mWS				
Pointer	(+ ) Standard pointer : Aluminium, black (- ) Pointer scale : Aluminium, white, scaled $\pm 50\%$ of main scale range				Marker pointer
Movement	Cu- alloy		Stainless steel		
Measuring element	< 100 bar : Copper alloy $\geq 100$ bar : Stainless steel 1.4571		Stainless steel 1.4571		
Connection	Copper alloy - position : bottom radial, parallel entry - thread : 2x G 1/2 B		Stainless steel 1.4571		
Temperatures	- medium : Tmin. -20°C , Tmax. +60°C 3)   Tmin. -20°C , Tmax. +100°C - ambient : Tmin. -20°C , Tmax. +60°C				Other threads on request
Temperature drift	0.4 % /10K deviation of normal temperature +20°C				
Protection	IP 33 to DIN 40 050 (EN 60 529 / IEC 529 )				
Orifice					$\varnothing 0.4$ ; $\varnothing 0.8$
Weight approx.	1.0 kg	1.6 kg	1.0 kg	1.6 kg	

1) Liquid filling only model P2630 > 2632

2) Scale range must be selected in consideration of the highest static pressure applied!

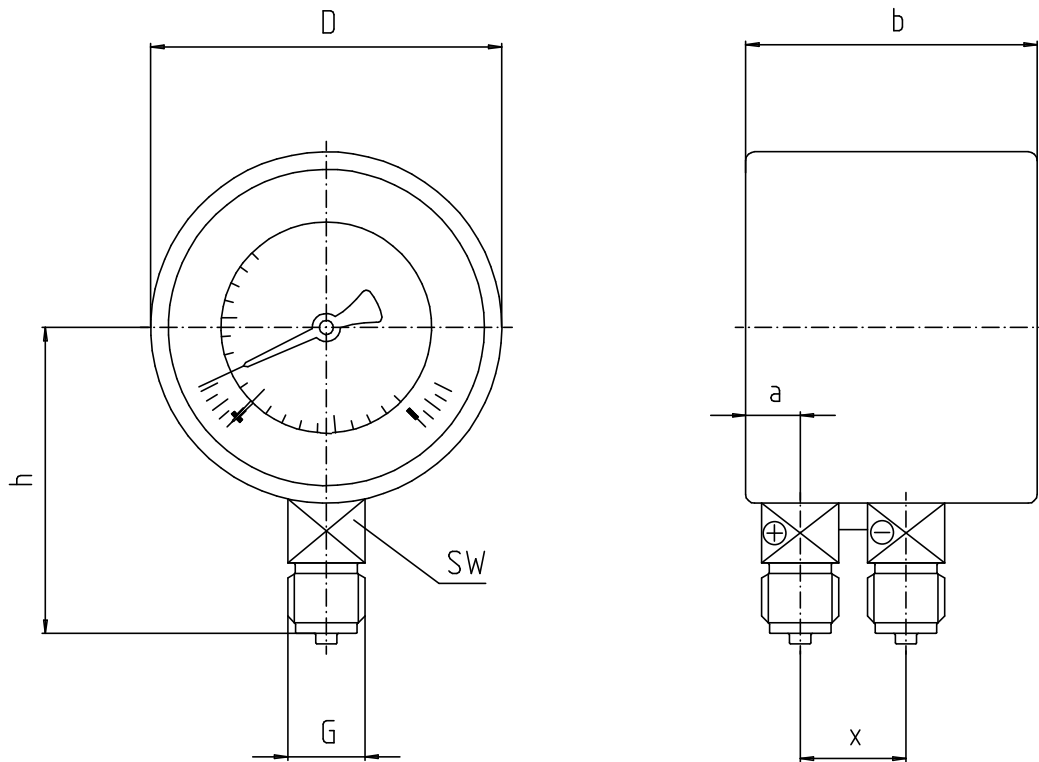
In heating circuits with circulating pumps the total pressure is calculated pressure given by the pump plus the water column. above. The pressure differential to be indicated should be no less than 1/6 of the full scale range.

When ordering please state both: a) static pressure applied

b) differential pressure to be indicated

3) Tmax. +100°C brazed

## Dimensions



Serial no.:	ND	Dimensions ( mm )						
		$a \pm 0.5$	$b \pm 1$	$X \pm 1$	$D \pm 1$	G	$h \pm 1$	SW
P2630, P2631	100	15.5	82	32	100	G 1/2 B	87	22
P2635, P2636	160	15.5	86.5	32	160	G 1/2 B	118	22

Subject to technical changes