

# Differential pressure measuring instruments with compression spring and diaphragm seal

with or without microswitch

Nominal sizes ND 100



## Description

Differential pressure measuring instruments with compression springs are primarily designed and built for the industrial and sanitary measuring technology sectors. These instruments fully consider the needs of the gas, water and air supply sectors and are also used for the treatment of such media.

These measuring instruments are suitable for liquid and gaseous media in so far as these are not aggressive or highly viscous and do not crystallise. Moreover, they must not contain any magnetic material.

Differential pressure measuring instruments with electric microswitches are suitable for controlling and regulating process sequences by means of the given process pressure.

## Function

The robust, compact measuring system for measuring the differential pressure comprises a diaphragm, which is loaded on both sides by the springs which determine the measuring ranges.

If the diaphragm is loaded with a varying pressure – the differential pressure – a deflection occurs which is transferred by a piston to the pointer mechanism or microswitch, respectively, to cause a pointer deflection proportional to the differential pressure and actuate the microswitch.

## Features

- o Measuring cell in pressure cast aluminium, compression springs made of high grade stainless steel
- o Static pressure and overloading up to 25 bar
- o Contact device for up to two microswitches
- o Integrated max. working pressure display
- o Fastening bracket to the back for wall mounting
- o Compact version, easy fitting

## Ranges

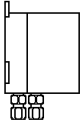
0 ... 250 mbar to 0 ... 25 bar

## Applications

Filter plants, pipeline systems, valve and pump monitoring and for gas, water and air supply lines.

Model: P2590

## Technical data

| Series   | P2590  | Options                                       |
|--|--|---|
| Nominal size   | 100  |   |
| Type   |                                       |   |
| Type of contact/<br>Electrical output                    | without or<br>with Microswitch   | Fixed setting, adjustable<br>from the outside |
| Number of contacts                                       | without<br>1 - 2   |   |
| Electrical connection                                    | Without<br>Cabel connector right hand side<br>6 screw terminals + PE, wire 2.5 mm <sup>2</sup><br>screw type M20 x 1.5 | M16x1.5 with 1m cable                         |
| Accuracy class   | 2.5% of end scale value  | 1.6%  |
| Display ranges   | 0 ... 250 mbar to 0 ... 25 bar<br>Separate display of max. working pressure 0 ... 25 bar                               | Without display                               |
| Overloading  | ⊕ or ⊖ side, max. 25 bar (one-sided and alternate side overloading)  |   |
| Application range  | <b>Steady load: up to full scale value</b><br>Alternating load: up to 0.9-fold to full scale value                     |   |
| Case   | Aluminium pressure casting, black  |   |
| Ring   | without  | Fastening bezel, front                        |
| Window   | Acrylic glass  |   |
| Dial   | Aluminium, white scale: scale, outside black   |   |
| Movement   | CuZn alloy   |   |
| Pointer  | Micropointer Aluminium, black  |   |
| Pressure chamber<br>(in contact with<br>measured media)  | GD-AISI 12 (Cu) Material No. 3.2982<br>Black finish  | HART-COAT other<br>Stainless Steel            |
| Measuring element<br>(in contact with<br>measured media) | Compression spring, high grade stainless steel 1.4310<br>Diaphragm, Buna rubber white tissue plies                     | Viton <sup>®</sup> 1) (FPM)                   |
| Pressure connection<br>- Position<br>- Thread 2)         | Steel<br>To the bottom behind each other, axial distance 26 mm<br>Two cutting ring unions for 6 mm dia. tube           | Other threads on<br>request                   |
| Special features   | Shut-off valve black   |   |
| Temperatures<br>- Measuring media<br>- Ambient           | Tmax. 90°C<br>Tmin. -10°C, Tmax. 70°C  |   |
| Degree of protection                                     | IP 54 to EN 60 529 / EC 529  |   |

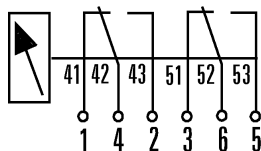
1) Viton<sup>®</sup> fluoroelastomer, a product of DuPont Dow Elastomers

2) Connection female thread G 1/4 or cutting ring union for 8 mm or 10mm dia. tube without surcharge.  
Gauge mounting pressure entries identified ⊕ high pressure and ⊖ low pressure.  
Mounting by means of rigid tailpipes, or surface mounting.

### Model P2590

Version with microswitch ( single and / or doble changeover contact )

| Electrical connection                             | Electrical data:                             | AC   | DC    |
|---|--|--|-------|
|   |  | Max. switching voltage   | 250 V |
| Max. switching capacity                           | 5 A  | 0.4 A  |       |
| Max. current                                      | 250 VA                                       | 10 W   |       |
| Repeatability 1.6%                                |  |  |       |
| Switching reverse voltage 5% of full scale value. | Adjustment: 15% to 100% of full scale value. | Contactaction:<br>1x – changeover contact 5.3<br>2x – changeover contact 5.3.3 |       |

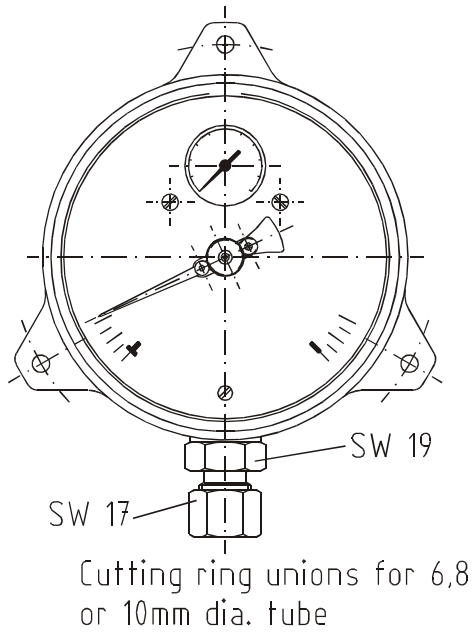


**Contact action 5.3.3**

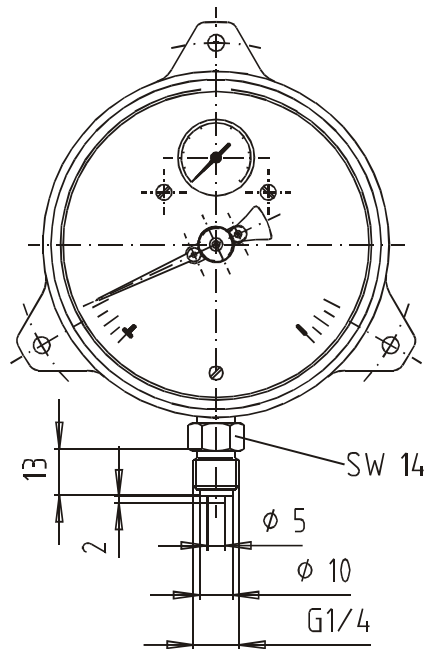
# Dimensions

Model P2590

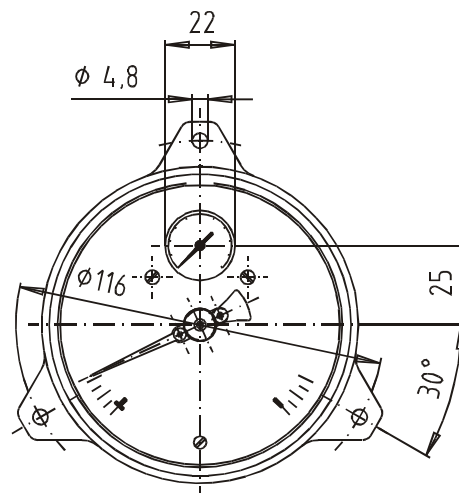
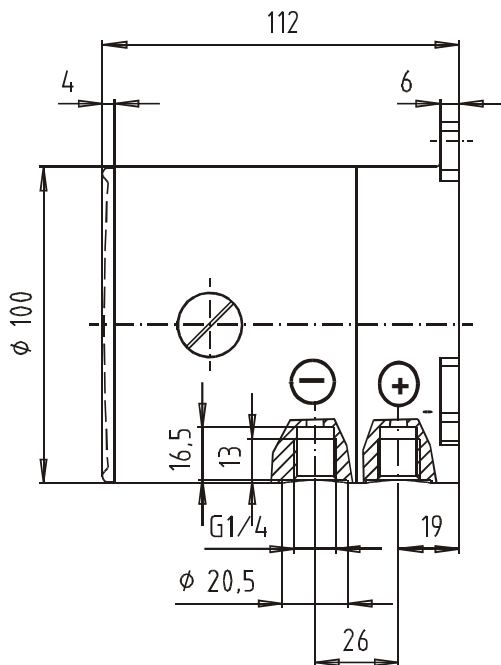
Standard version



Options: Male thread G 1/4 B



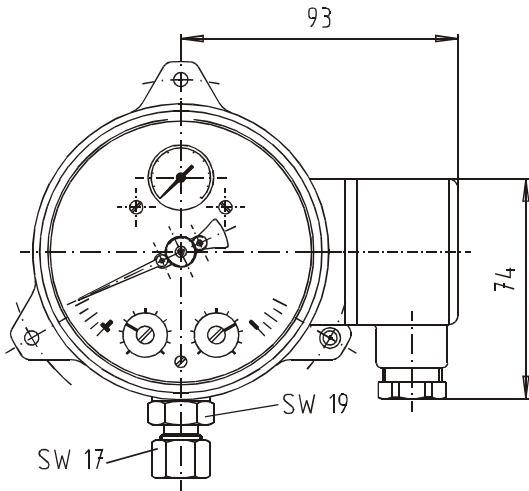
Options: Female thread G1/4



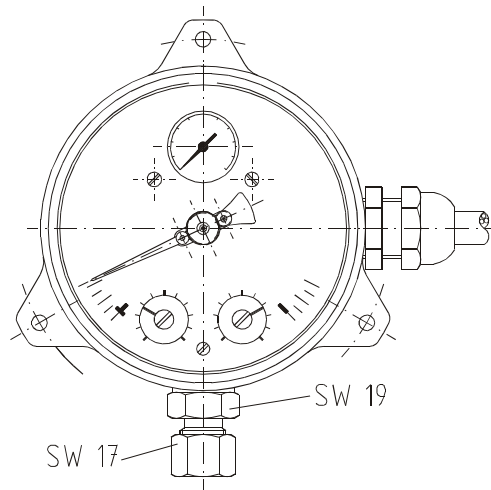
# Dimensions

Model P2590

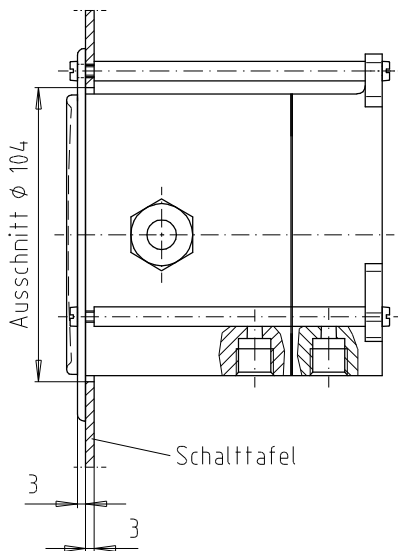
Version with cable box M20x1.5



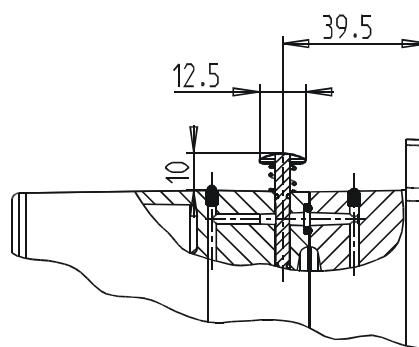
Version with M16x1.5 and 1 m cable



Options: Front flange for panel mounted



Options: Integrated Pressure equalizing valve



Modifications reserved