

## Pressure Sensors „CerTrans“ for OEM-applications

with ceramic thick-film-cell



### Description

Pressure sensors “CerTrans” are the ideal solution for OEM applications for mid to high quantities. This is a result of good technical specifications and a very attractive price level. Due to the use of state of the art production lines we are able to provide short lead times and high quality.

The compact design with G ¼ B pressure connection enables space-saving and low-weight installation.

Wetted parts are made of brass, ceramic and NBR. The robust case made out of brass offers protection type IP65. For special application a stainless steel version is available.

The ceramic sensor produced in a monolithic form, offers a high long-term stability, a good repeatability and hysteresis, as a well high accuracy.

The pressure sensors are available in almost all usual output signals.

The pressure sensors “CerTrans” meet the electronic magnetic compatibility (EMC) requirements to EN 61326.

### Features

- Accuracy 1%
- compact design
- very good price-performance ratio
- monolithic ceramic sensor
- excellent long term stability

### Measuring ranges

Gauge pressure 0...2 bar to 0...100 bar

### Applications

OEM applications:

pumps and compressors,  
pneumatics,  
building services, engineering,  
refrigeration.

Model: P3322, P3323

## Technical data

Model	P3322 / P3323 <sup>1)</sup>						Options
Pressure type	gauge pressure						
Output signal	4...20 mA - 2-wire 0,1...10 V - 3-wire 0,1...5 V - 3-wire 0,5...4,5 V - 3-wire 0,5...4,5 V ratiometric						
Measuring ranges [bar]	2	5	10	20	50	100 <sup>2)</sup>	
Overload limit [bar]	5	10	20	40	100	200	
Accuracy <sup>3)</sup>	1 % of F.S						
Repeatability	≤ 0,1 % of F.S.						
Stability per year	≤ 0,3 % of F.S. in rated conditions						
Case	Brass 2.0401 or stainless steel (≥ 60 bar only stainless steel )						
Pressure connection	G ¼ B acc. to DIN 3852-E G ¼ B acc. to DIN 837 ¼ NPT 7/16-20 UNF (Schrader)						
Wetted parts – sensor element – gasket	ceramic Al <sub>2</sub> O <sub>3</sub> 96% NBR						EPDM
Electr. connection	round connector M12x1, 4-pin rectangular connector form C with junction box (DIN EN 175301-803 C) cable outlet with 1m cable						
Load – 4...20 mA – 0,1...10 V – 0,1...5 V – 0,5...4,5 V – 0,5...4,5 V ratiom.	8...30 VDC 14...30 VDC 8...30 VDC 8...30 VDC 5 ± 0,25 VDC		≤ ( UB [V] – 8 V ) / 0,02 A > 10 kΩ > 5 kΩ > 4,5 kΩ > 4,5 kΩ				
Power consumption – signal currency	signal current (4...20 mA)						
Temperatur comp. range	0 ... 80°C						
Mean TC – zero point – span	typical maximum < ± 0,2 % / 10K < ± 0,4 % / 10K < ± 0,15 % / 10K < ± 0,25 % / 10K						
Response time	5 ms						
Protection type	IP 65 (acc. to EN 60529 / IEC 529) IP 67 for cable outlet						
Emission	acc. to EN 61326						
Interference	acc. to EN 61326						
Electrical protection type	Polarity, overload and short circuit protection						
Temperature ranges – storage – medium – ambient	-40 ... 100°C -20 ... 85°C -20 ... 85°C						
Weight	Ca. 0,10 kg						

of F.S. = of full scale value

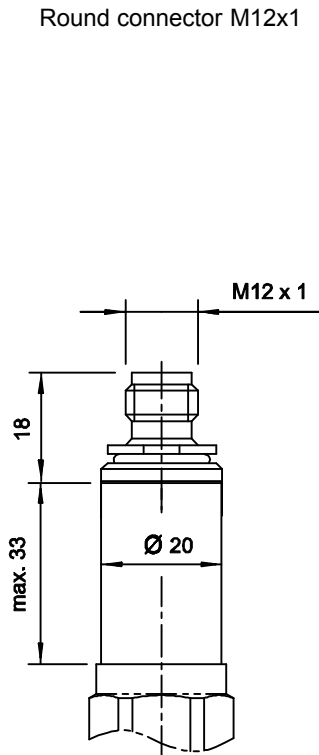
- 1) Model P3322 = brass version, model P3323 = stainless steel version
- 2) Ranges ≥ 60 bar only avilable in stainless steel version (model P3323)
- 3) Terminal point adjustment, incl. Linearity and hysteresis  
1,5% accuracy for measuring range 2 bar in stainless steel

## Dimensions (mm)

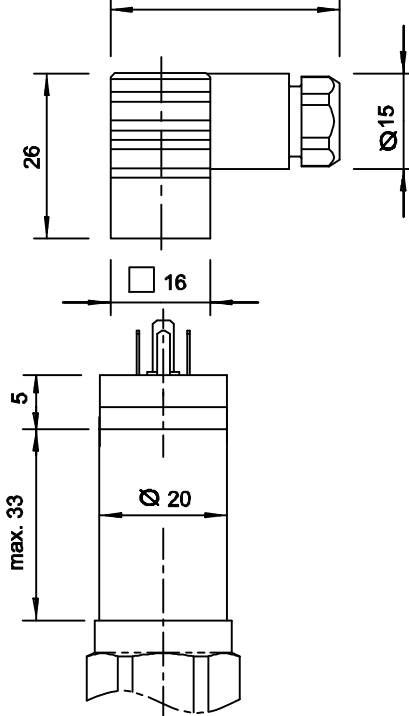
### Case

Model with

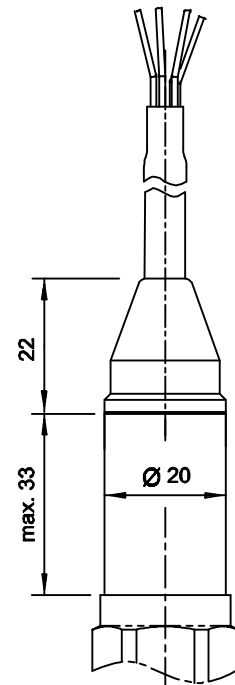
Round connector M12x1



plug acc. to DIN EN 175301-803



cable outlet



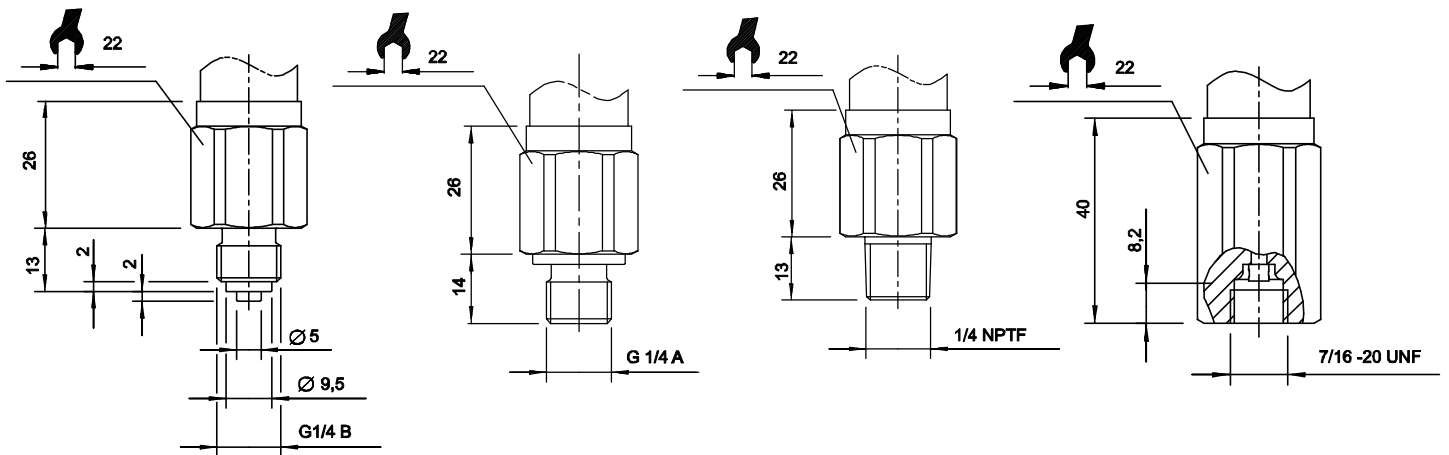
### Pressure connection

G1/4 plug acc. to EN 837

G 1/4 plug acc. to DIN 3852-E

1/4 NPT

Schrader - connection

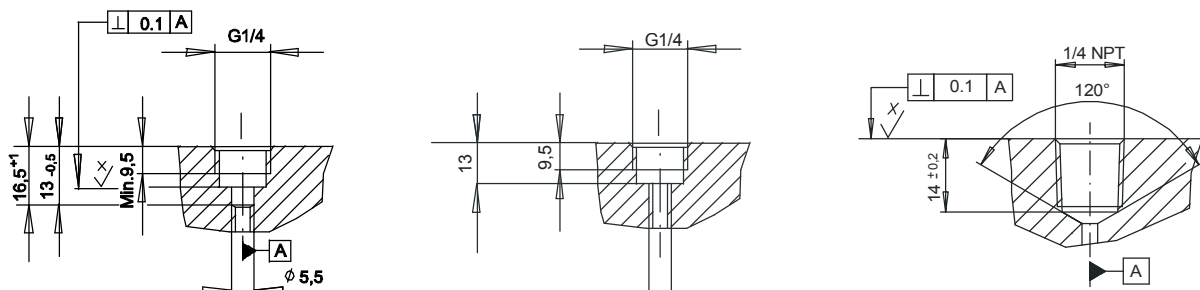


### Screw in aperture

G 1/4

G 1/4

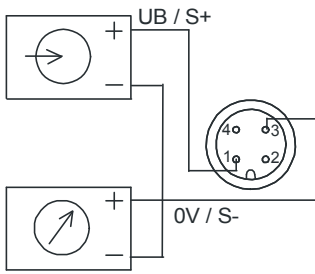
1/4 NPT



## Electrical connection

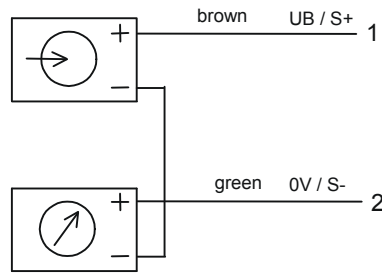
### 2 - wire

round connector M12x1

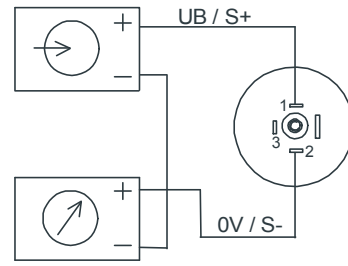


E-034

cable outlet



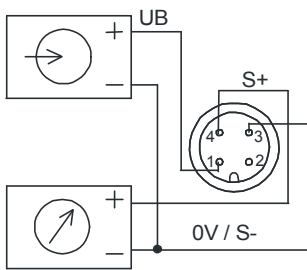
plug acc. to DIN EN 175301-803 form C



E-005

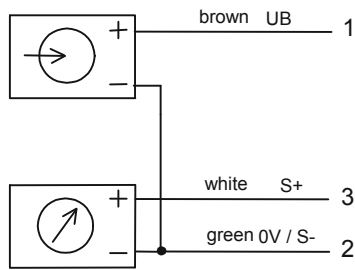
### 3 - wire

round connector M12x1

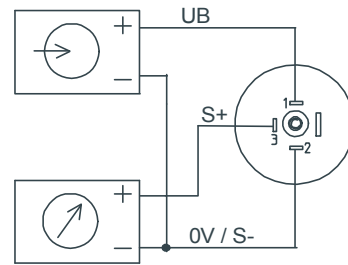


E-033

cable outlet



plug acc. to DIN EN 175301-803 form C



E-006

### Connection table for rectangular connector or cable outlet

	4...20 mA (2 - wire)		0,1...10VDC (3 - wire)	
Supply: UB	1	brown	1	brown
Supply: 0V	2	green	2	green
Signal: S+	-	-	3	white
Signal: S-	-	-	2	green

## Ordering information

1. Model
2. Measuring range
3. Output signal
4. Options

Subject to technical changes