

## Digital manometer DC 400

With integrated bar graph display

Accuracy 0.5%



### Description

This digital manometer is the ideal solution for local digital display independent of the mains. The integrated battery allows measurements to be made independent of a fixed source of power.

Accuracy, reliability and mechanical resilience make the digital manometer suitable pressure measurement tasks in numerous applications.

The stepped measuring ranges extend from 2 bar up to the high pressure range of 700 bar. For pressure ranges above 50 bar, the casing and parts that come into contact with the measuring medium are made of stainless steel and thus resistant to attack from chemically aggressive media.

The additional integrated bar graph display with a trailing pointer function shows the trend in current working pressure directly. The model P3962 comprises a further 4 ½-digit display for a direct readout of peak value, tare and other parameters. Internal lighting ensures the display is optimally lit for a clear readout even in unfavourable lighting conditions.

The buttons on the front are used for adjustment of the programmable parameters.

The digital manometer meets electromagnetic compatibility requirements (EMC) to EN 61326.

### Features

- Measuring ranges from 2 - 700bar
- Fine step selection of nominal pressure ranges
- LC-Display with numerals 11mm high
- Bar graph display with a trailing pointer function
- Tare function
- Password protection
- MIN/MAX-memory
- Internal lighting
- High overload protection

### Measuring ranges

Overpressure  
positive 0...2 bar to 0...700 bar

### Areas of use

Machine construction  
Plant and apparatus construction  
Hydraulics, pneumatics  
Measuring equipment monitoring

Model: P3961, P3962

## Technical data

Series	P3961	P3962
<b>Display</b>	7-segment LCD display, 11mm high	7/14-segment LC-Display, 11mm high
– Range	9999 digit Bar graph display	19999 digit second display 19999 digit, 7mm high Bar graph display
– Accuracy	0.5% of FS ± 1 digit <sup>1)</sup>	0.5 % of FS ± 1 digit <sup>1)</sup>
– Conversion rate	5 /sec	5 /sec
<b>Measuring ranges to EN</b>	0...2 bar to 0...700 bar, more on request	
<b>Type of pressure</b>	positive overpressure, negative overpressure	
<b>Overload limit</b>	2-fold, max. 1000 bar	
<b>Parts in contact with measuring medium</b>	Measuring ranges ≤ 50 bar stainless steel; alumina; NBR, ceramic measuring cell Measuring ranges ≥ 100 bar stainless steel only, thin-film type measuring cell	
<b>Pressure union</b>	G ¼ B, ¼ NPT others on request	G ¼ B, ¼ NPT ( 300° )Rotatable
<b>Stability per year</b>	≤ ± 0,2 % of FS under reference conditions	
<b>Peak value memory</b>	MIN / MAX	
<b>Progr. parameters</b>		
– tare	without	≤ ± 20% of FS adjustable
– autom. turn-off time	without, option 2...90 min. factory set	adjustable
– measuring unit	bar, PSI MPa adjustable	bar, PSI MPa adjustable
<b>Display lighting</b>	without	with
<b>Voltage supply</b>	2 x 1.5V round cell AA	
– service life	4000 hrs ( AA 2000 mAh )	
<b>Temperature comp. range</b>	0... 60°C	
<b>Temperature influence</b>		
– Zero point	≤ ± 0.15% /10 K	
– Measuring span	≤ ± 0.15% /10 K	
<b>Degree of protection</b>	IP 65 to EN 60529/IEC 529	
– perm. rel. humidity	< 90%, non-condensing	
<b>Emitted interference</b> <sup>2)</sup>	to EN 61326	
<b>Interference immunity</b> <sup>2)</sup>	to EN 61326	
<b>Temperature ranges</b>		
– Storage	-20 .... 70 °C	
– Measured medium	-30 .... 85 °C ( -30 ... 100°C with measuring range ≥ 100 bar )	
– Ambient	-10 .... 60 °C	
<b>Case</b>	Stainless steel, option protective cap black	
<b>Weight</b>	Approx. 0.4 kg	

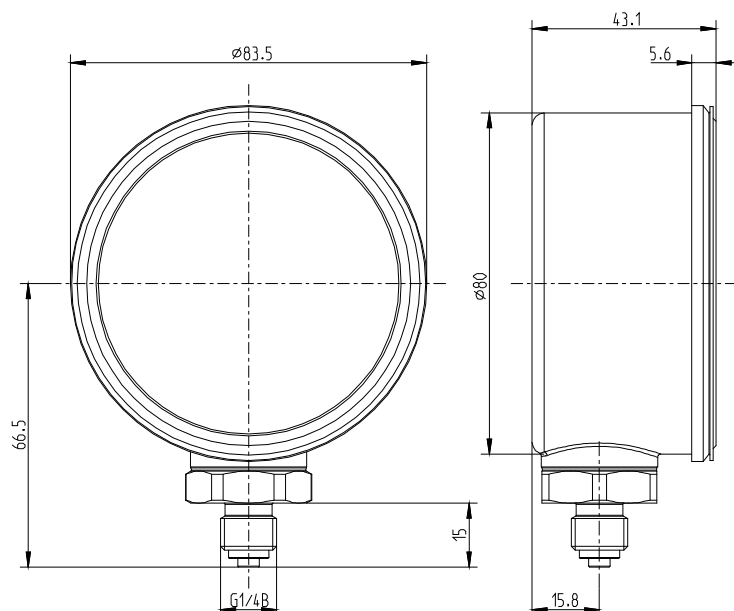
FS = full-scale reading

<sup>1)</sup> Meas. deviation accord. to IEC 61298-2, including non-linearity, hysteresis, zero-point and final value deviation.

<sup>2)</sup> Declaration of conformity on request

## Dimensions (mm)

### Case



## Ordering data

1. Series
2. Measuring range
3. Options

Subject to change without prior notice